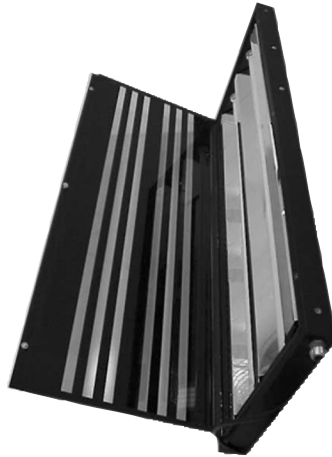




# INSPECTION LIGHTING SERIES

DATE: _____	PROJECT MGR: _____
JOB: _____	
CAT#: _____	
TYPE: _____	



- TASK ①
- PAINTBOOTH ②
- VAPOR DUST ③
- VAPOR ④
- WET DAMP ⑤
- MARINE ⑥
- EXPLOSION PROOF ⑦
- HID ⑧
- INSPECTION ⑨**
- PORTABLE LIGHTING ⑩
- MOUNTING ⑪
- PHOTOMETRY ⑫
- LAMPS BALLASTS ⑬
- INFO ⑭
- CUSTOM ⑮
- ASK THE EXPERT ⑯

## DESCRIPTION

The Inspection Series is a must for any Paint Spray Inspection area! Fixture is constructed from a cold rolled steel one piece housing, with a 93% reflectance specular polished reflector. The lens design creates a well defined lamp image using Light and Dark contrasts that cause defects in the paint to show for ease of detection and repair. The series is available in 4 or 8' lengths. Optional stands are available to suit any inspection area needs. Horizontal and Vertical cart options (see Portable Lighting Section) also available.



Vertical 3 fix. cart

## SPECIFICATIONS

**LISTINGS:** ETL listed for U.S. and Canada  
Class I Division 2 Groups A,B,C,D  
T3C (160 degree C) Operating Code  
Class II Division 2 Groups F & G  
T3C (160 degree C) Operating Code

**HOUSING:** Slim 2 - 1/4" thick 1 piece housing made from 20 ga. CRS & powder coated black paint. Front Access door frame.

**LENS:** 3/16" Clear tempered glass.

**ELECTRICAL:** 120-277 Volt universal ballast for 4 ft. fixture.  
120 Volt or 277 volt selection for 8 ft. products



**APPLICATIONS:** Paint Inspection

**MOUNTING OPTIONS:** ORDERED SEPARATELY - see page 9.3  
Stationary Mount Kit #3564  
Pivot Hinge Mount Kit #3563  
Swivel Mount Kit #4828 (For Carts ONLY)

(Consult Factory for cord and plug options)



# INSPECTION

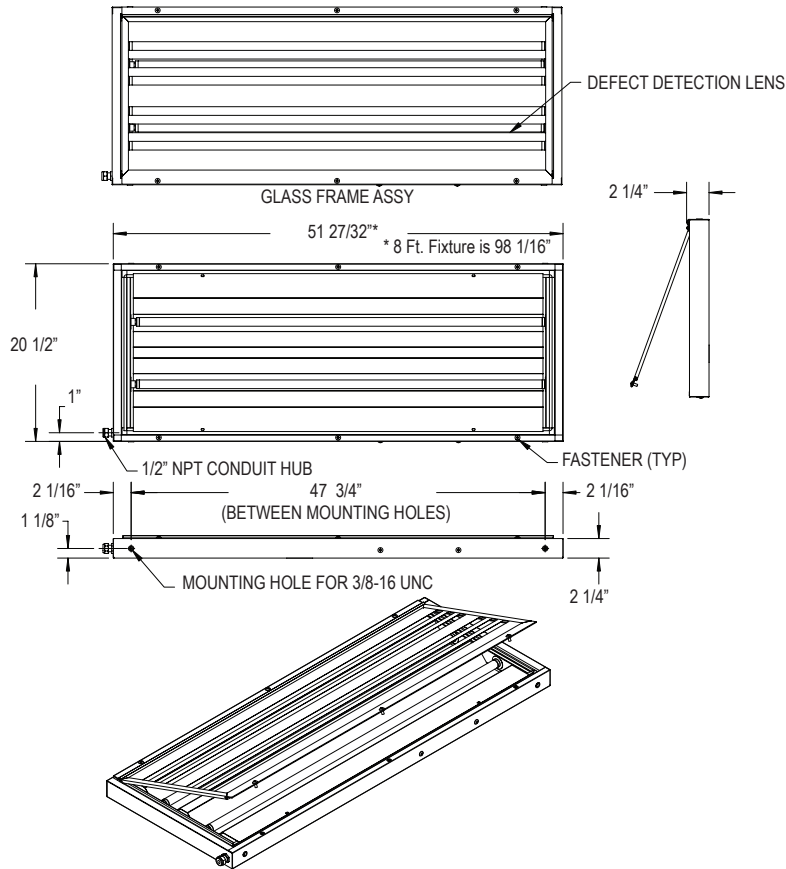
## LIGHTING SERIES

### PART NUMBERS

Series	Lamp	Lamp Qty	Hub	Order #	Order #	Voltage
39042LINS	T8 32watt	2	1/2" NPT	39042LINS	3613	120-277 Volts 50/60HZ
39082LINS	T8 59watt	2	1/2"NPT	39082LINS	3281	120 Volt
		2	1/2"NPT	39082LINS	3534	277 Volt

LAMPS INCLUDED  
(All Options Ordered Separately)  
Mounting Options - See Page next page

### DIMENSIONS

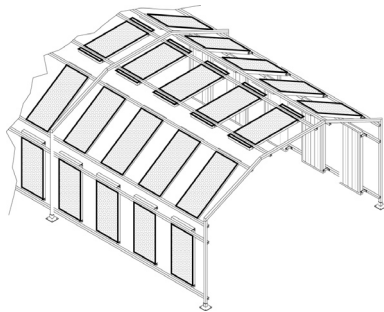




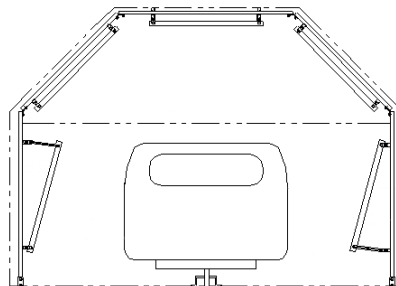
# INSPECTION MOUNTS

FOR LDPI, INC. INSPECTION FIXTURES

## INSPECTION SERIES MOUNTING

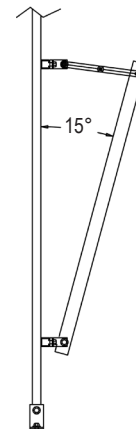


Tunnel provides visual angles from all sides and can be designed with combinations of 4 Ft. and 8 Ft. fixtures to fit product and application requirements.

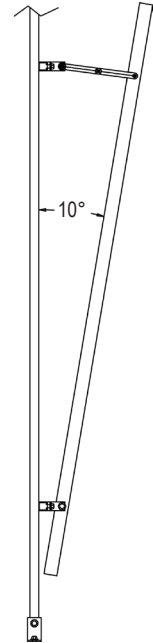


Pivot mount or stationary mounting brackets allow aiming of fixtures for optimal performance.

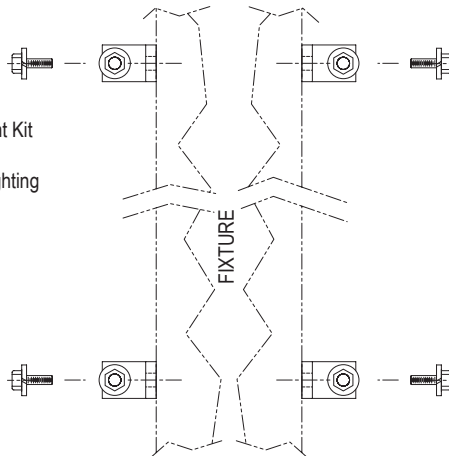
P/N 3563 Pivot Hinge Mount Kit  
4 Ft. and 8 Ft.  
Fluorescent Inspection Lighting



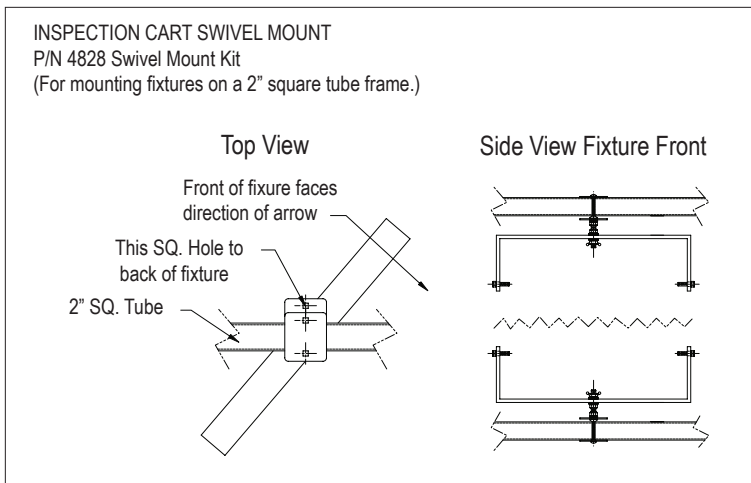
4 Foot Fixture Rotation



8 Foot Fixture Rotation



P/N 3564 Stationary Mount Kit  
4 Ft. and 8 Ft.  
Fluorescent Inspection Lighting



- TASK ①
- PAINTBOOTH ②
- VAPOR DUST ③
- VAPOR ④
- WET DAMP ⑤
- MARINE ⑥
- EXPLOSION PROOF ⑦
- HID ⑧
- INSPECTION ⑨**
- PORTABLE LIGHTING ⑩
- MOUNTING ⑪
- PHOTOMETRY ⑫
- LAMPS BALLASTS ⑬
- INFO ⑭
- CUSTOM ⑮
- ASK THE EXPERT ⑯

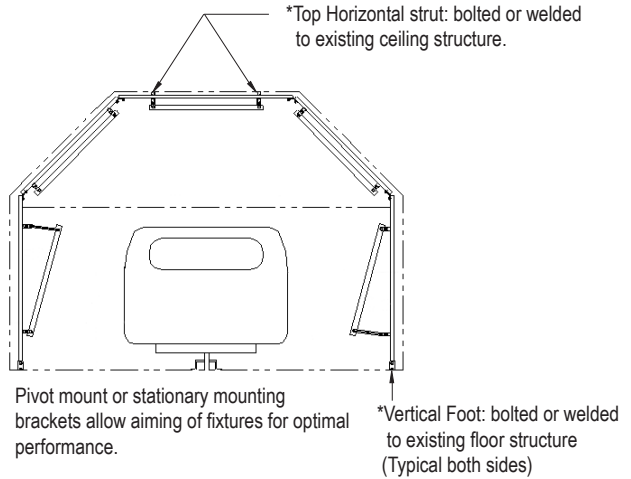


# INSPECTION TUNNEL

FOR LDPI, INC. INSPECTION FIXTURES

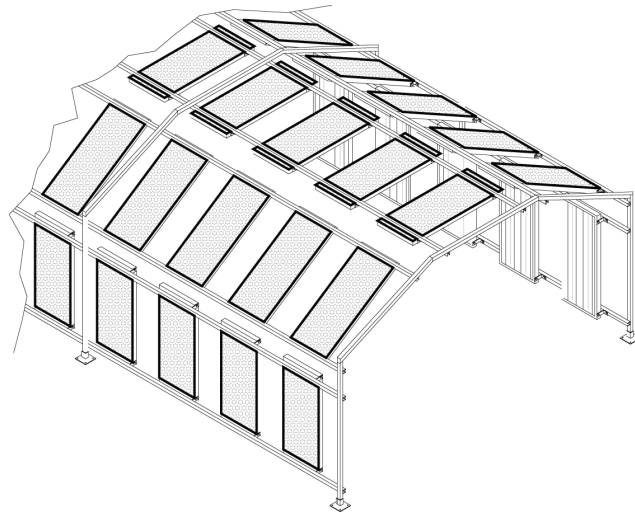
## STANDARD INSPECTION TUNNEL

LDPI's Inspection Tunnel provides visual angles from all sides and can be designed with combinations of 4 Ft. and 8 Ft. fixtures to fit product and application requirements.



1. Unistrut is 1 5/8" square  
Minimum 16 Gage  
Choice of Galvanized or Painted Green
2. All pieces are bolt-together
3. Strut pieces supplied cut to length unless specified otherwise.
4. Tunnel will need to be bolted or welded to existing structure\*

- ① TASK
- ② PAINTBOOTH
- ③ VAPOR DUST
- ④ VAPOR
- ⑤ WET DAMP
- ⑥ MARINE
- ⑦ EXPLOSION PROOF
- ⑧ HID
- ⑨ INSPECTION
- ⑩ PORTABLE LIGHTING
- ⑪ MOUNTING
- ⑫ PHOTOMETRY
- ⑬ LAMPS BALLASTS
- ⑭ INFO
- ⑮ CUSTOM
- ⑯ ASK THE EXPERT



Standard Inspection Tunnel



Standard Inspection Tunnel with pivot mounts