



260/261 SERIES

VAPOR / DUST PROOF LIGHTING

DATE: _____	PROJECT MGR: _____
JOB: _____	
CAT#: _____	
TYPE: _____	



Model 260



Model 261

- TASK ①
- PAINTBOOTH ②
- VAPOR DUST ③
- VAPOR ④
- WET DAMP ⑤
- MARINE ⑥
- EXPLOSION PROOF ⑦
- HID ⑧
- INSPECTION ⑨
- PORTABLE LIGHTING ⑩
- MOUNTING ⑪
- PHOTOMETRY ⑫
- LAMPS BALLASTS ⑬
- INFO ⑭
- CUSTOM ⑮
- ASK THE EXPERT ⑯

DESCRIPTION

The 260/261 Series is a product designed specifically for Paint Spray Booths, with a wider fixture design these products will provide increased photometric output and efficiencies. These 4 lamp 4' fixtures are available in wattages including 32, 40, and 60 Watts. The 260 Series allows for both Front and Rear access using a paint spray cutoff switch when the front door frame is opened. The 261 Series is a rear access only fixture and does not require paint spray cutoff. Both units carry multiple listings from ETL for Class I Div. 2 & Class II Div. 2 applications. **Must be mounted hinge side up.**

SPECIFICATIONS

LISTINGS: ETL listed for U.S. and Canada
 Class I Division 2 Groups A,B,C,D
 T3C (160 degree C) Operating Code
 Class II Division 2 Groups F,G
 T3C (160 degree C) Operating Code
 Listed for locations having deposits of readily combustible paint residues.



HOUSING: 20 Gauge steel construction with white baked enamel finish which creates a durable, highly reflective finish. Housing styles for either front and rear accessibility in the Series 260, or rear access only in the Series 261.

LENS: 3/16" Clear tempered glass.

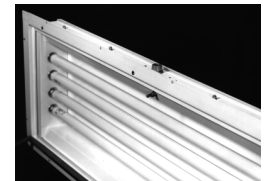
ELECTRICAL: Paint spray cutoff switch for the front door frame access of the Series 260. Available in 32, 40, and 60 Watts in T8, T12, & T12HO lamps. Voltages of 120, 277, & 347 Volts.

OPTIONS: **All Options Ordered Separately**
 EM: Emergency Battery Backup Ballast
 120 or 277V **MUST SPECIFY**
 Wire Whip 8 Ft. - 5901: 3-wire (261) or 5902: 5-wire (260)

• **MOUNTING KITS - Ordered Separately** - See Page 11.4
 Panel Stiffner Kit #1704 (fits 18 gauge panels only)

NOTE: Normally open magnetic switches are intended to be used to trigger a relay (furnished by others) which disables the paint system. Because of the small capacity of the switch a solid state relay is recommended. It may be desired by others to utilize a separate power supply to segregate the relay (furnished by others) from the lighting power supply. The Magnetic Switch **IS NOT** designed to directly control light operation!
The Magnetic Switch is rated for 10 watts resistive at a maximum of 300 VAC.

CAUTION: Overloading the switch circuits **WILL** cause failure. LDPI, Inc. recommends having a certified electrician/engineer review loads to ensure that overloading of switch does not occur.



Interlock Microswitch
Model 260



260/261 SERIES

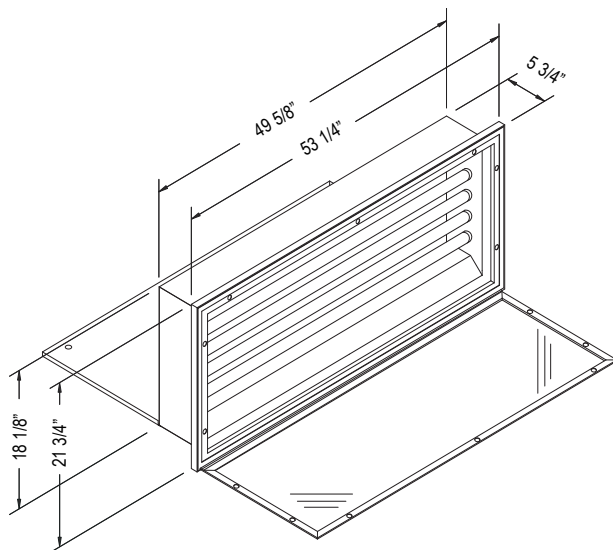
VAPOR / DUST PROOF LIGHTING

PART NUMBERS

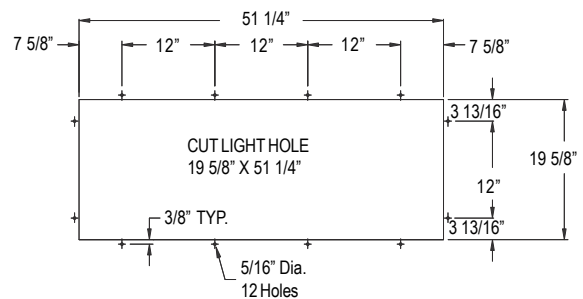
TASK	Series	Watt	Lamp Qty	Hub	Order #	3546	3125	Voltage
PAINTBOOTH	390260 Front & Rear Access	32W T8	4	1/2" NPT	390260	3546		120-277 Volts 50/60HZ
			4	1/2" NPT	390260347	3125		347 Volts 60HZ
VAPOR DUST		32W T8HLO	4	1/2" NPT	390260120	1744		120 Volts 60HZ
			4	1/2" NPT	390260277	1766		277 Volts 60HZ
VAPOR		40W T12	4	1/2" NPT	390260120	1748		120 Volts 60HZ
			4	1/2" NPT	390260277	1712		277 Volts 60HZ
			4	1/2" NPT	390260347	3278		347 Volts 60HZ
WET DAMP		60W T12HO	4	1/2" NPT	390260120	3260		120 Volts 60HZ
			4	1/2" NPT	390260277	3222		277 Volts 60HZ
MARINE	390261 Rear Access Only	32W T8	4	1/2" NPT	390261	3546		120-277 Volts 50/60HZ
			4	1/2" NPT	390261347	3125		347 Volts 60HZ
EXPLOSION PROOF		32W T8HLO	4	1/2" NPT	390261120	1744		120 Volts 60HZ
			4	1/2" NPT	390261277	1766		277 Volts 60HZ
HID		40W T12	4	1/2" NPT	390261120	1748		120 Volts 60HZ
			4	1/2" NPT	390261277	1712		277 Volts 60HZ
			4	1/2" NPT	390261347	3278		347 Volts 60HZ
INSPECTION		60W T12HO	4	1/2" NPT	390261120	3260		120 Volts 60HZ
			4	1/2" NPT	390261277	3222		277 Volts 60HZ
PORTABLE LIGHTING		32W T8	4	1/2" NPT	390261	3546		120-277 Volts 50/60HZ
			4	1/2" NPT	390261347	3125		347 Volts 60HZ
MOUNTING		32W T8HLO	4	1/2" NPT	390261120	1744		120 Volts 60HZ
			4	1/2" NPT	390261277	1766		277 Volts 60HZ
PHOTOMETRY		40W T12	4	1/2" NPT	390261120	1748		120 Volts 60HZ
			4	1/2" NPT	390261277	1712		277 Volts 60HZ
			4	1/2" NPT	390261347	3278		347 Volts 60HZ
LAMPS BALLASTS		60W T12HO	4	1/2" NPT	390261120	3260		120 Volts 60HZ
			4	1/2" NPT	390261277	3222		277 Volts 60HZ

LAMPS SOLD SEPARATELY
(All Options Ordered Separately)

DIMENSIONS



Rear Access Panel
Models 260 & 261





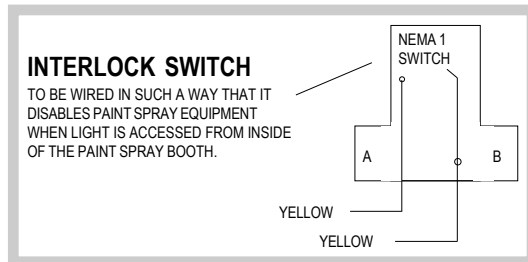
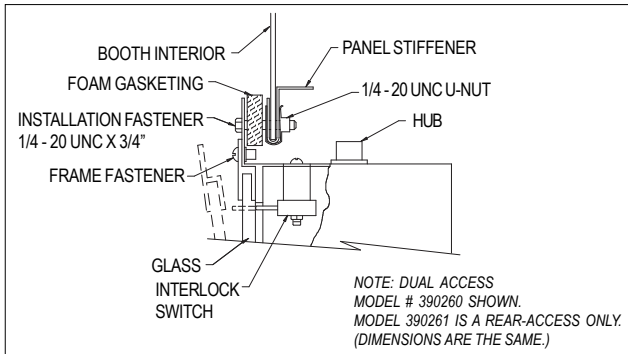
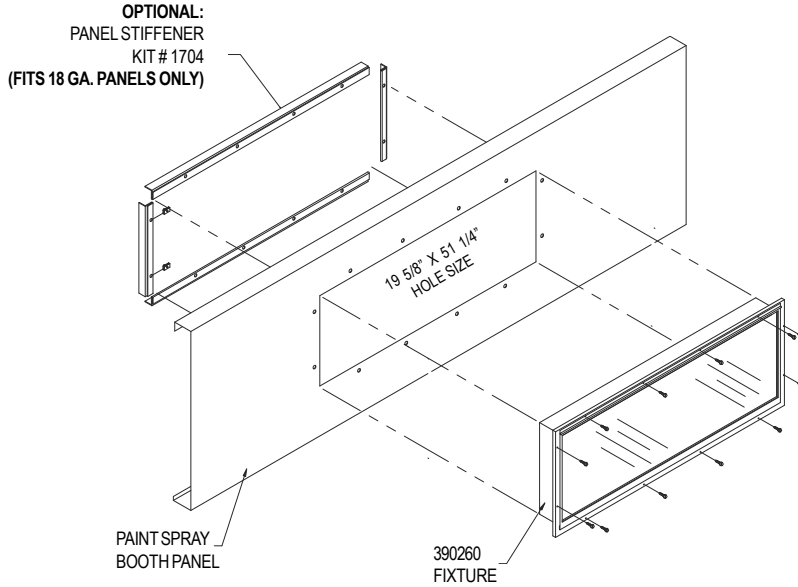
MOUNTING

FOR LDPI, INC. FIXTURES

260/261 Series

- ① TASK
- ② PAINTBOOTH
- ③ VAPOR DUST
- ④ VAPOR
- ⑤ WET DAMP
- ⑥ MARINE
- ⑦ EXPLOSION PROOF
- ⑧ HID
- ⑨ INSPECTION
- ⑩ PORTABLE LIGHTING
- ⑪ MOUNTING
- ⑫ PHOTOMETRY
- ⑬ LAMPS BALLASTS
- ⑭ INFO
- ⑮ CUSTOM
- ⑯ ASK THE EXPERT

PN: 1704 Panel Stiffener and Interlock Switch



IMPORTANT:
Normally open magnetic switches are intended to be used to trigger a relay (furnished by others) which disables the paint system. Because of the small capacity of the switch, a solid state relay is recommended. It may be desired by others to utilize a separate power supply to segregate the relay (furnished by others) from lighting power supply. **The magnetic switch is rated for 10 watts (resistive) at a maximum of 300 VAC.**

The magnetic switch is **NOT** designed to directly control light operation.

CAUTION: Overloading the switch circuits will cause failure. LDPI® recommends having a certified electrician/engineer review circuit loads to insure that overloading of switch does not occur.

