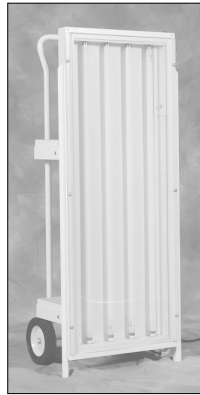




CART SERIES

TASK / INSPECTION / HAZARDOUS AREAS

DATE: _____ PROJECT MGR: _____
 JOB: _____
 CAT#: _____
 TYPE: _____



4 Ft. Single
Fixture Cart

TASK ①

PAINTBOOTH ②

VAPOR DUST ③

VAPOR ④

WET DAMP ⑤

MARINE ⑥

EXPLOSION PROOF ⑦

HID ⑧

INSPECTION ⑨

PORTABLE LIGHTING ⑩

MOUNTING ⑪

PHOTOMETRY ⑫

LAMPS BALLASTS ⑬

INFO ⑭

CUSTOM ⑮

ASK THE EXPERT ⑯

DESCRIPTION

2 WHEEL VERTICAL CART: P/N 4346
 8" semi-pneumatic ball bearing wheels
 20' Power cord with a 3 prong 120 Volt 15 amp plug.
 A 277 Volt 15 amp plug is also available.
 Cords can be supplied with NEMA rated power cord plugs.
 (specify amperage)

The single fixture light cart is designed to provide portable lighting solutions for applications ranging from inspection to laboratory and general industrial task lighting. Light fixture options allow you to customize your cart to fit your work application requirements.

SPECIFICATIONS

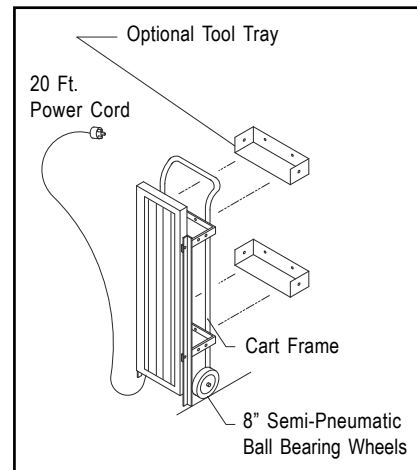
FIXTURE LISTINGS: ETL listed. U.S. and Canada
 INS: Class I and II Division 2
 H: Class I and II Division 2
 I: UL 1598 ONLY

ELECTRICAL: Voltage: 120 volts or 277 volts

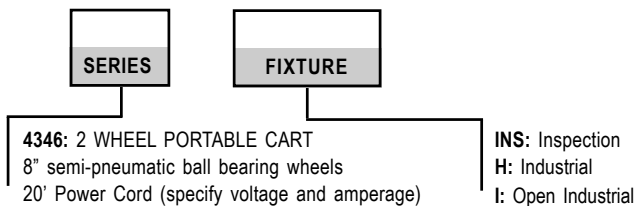
OPTIONS: CART OPTIONS
 Shelf Trays: 20 1/2" W x 8" D x 3" H P/N 4344
 Cord Reel Non-Hazardous 20 FT P/N 4826

FIXTURE OPTIONS
 Inspection (lamps included)
 Class I & II Div. 2 Industrial (lamps included)
 Task/Open Industrial (lamps included)

OPEN INDUSTRIAL INCLUDED
 Polycarbonate Lens
 F32-T-8 Lamp, 5000K - (Recommended)



PART NUMBERS





CART SERIES

TASK / INSPECTION / HAZARDOUS AREAS

4 Ft. 2 Fixture Cart



Vertical Mount



Shown with optional tool tray and 5" casters

Horizontal Mount



Standard 10" pneumatic tires

- ① TASK
- ② PAINTBOOTH
- ③ VAPOR DUST
- ④ VAPOR
- ⑤ WET DAMP
- ⑥ MARINE
- ⑦ EXPLOSION PROOF
- ⑧ HID
- ⑨ INSPECTION
- ⑩ PORTABLE LIGHTING
- ⑪ MOUNTING
- ⑫ PHOTOMETRY
- ⑬ LAMPS BALLASTS
- ⑭ INFO
- ⑮ CUSTOM
- ⑯ ASK THE EXPERT

DESCRIPTION

2 FIXTURE CART

Black finish with standard swivel mounting brackets (See page 9.3)
 10" pneumatic tires. (2) swivel (2) non-swivel
 25' power cord
 15 amp 120 volt NEMA rated plug

The 4 Ft. 2 fixture light cart is designed to provide portable lighting solutions for applications ranging from inspection to laboratory and general industrial task lighting. The 2 or 3 Fixture Portable Lighting Cart is designed to accept the listed light fixtures mounted either vertically or horizontally (horizontal mounting available only on two fixture cart). Fixtures are attached with swivel mounting brackets allowing for directional aiming of the light.

SPECIFICATIONS

FIXTURE LISTINGS:

ETL listed. U.S. and Canada
 INS: Class I and II Division 2
 H: Class I and II Division 2
 I: UL 1598 ONLY

ELECTRICAL:

Voltage: 120 volts or 277 volts
 Amperage: 15 amps or 20 amps

OPTIONS:

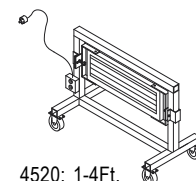
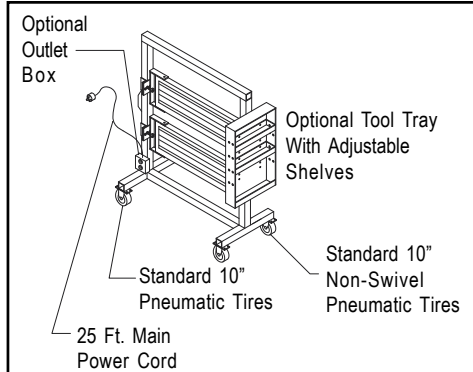
Vertical or horizontal fixture mount (1 & 2 fixture carts only)
 Outlet box with 1 duplex outlet *Only on 120V carts*
 5" casters (polyurethane) (2) swivel (2) non-swivel
 Tool tray with adjustable shelves P/N 4362
 NEMA rated power cord plug, other than specified, can be provided.

FIXTURE OPTIONS:

Inspection (lamps included)
 Class I & II Div. 2 Industrial (lamps included)
 Task/Open Industrial (lamps included)

OPEN INDUSTRIAL INCLUDED

Polycarbonate Lens
 F32-T-8 Lamp, 5000K - (Recommended)



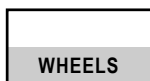
4520: 1-4Ft. Horizontal Fixture



PART NUMBERS



3668: 2 Fix. Cart
3668H*: 2 Fix. Haz. Loc. Cart
3669: 3 Fix. Cart
3669H*: 3 Fix. Haz. Loc. Cart
4520: 1-4 ft Horizontal Cart



P: 10" Pneumatic Tires (std)
C: 5" Casters



INS: Inspection
H: Industrial
I: Open Industrial



Call LDPI® for a quote on a cart with 2 or 3 fixtures.

*P/N 3668H and 3669H are Class I Div. 2 Hazardous Location Carts are assembled with a stationary fixture mounting bracket.